



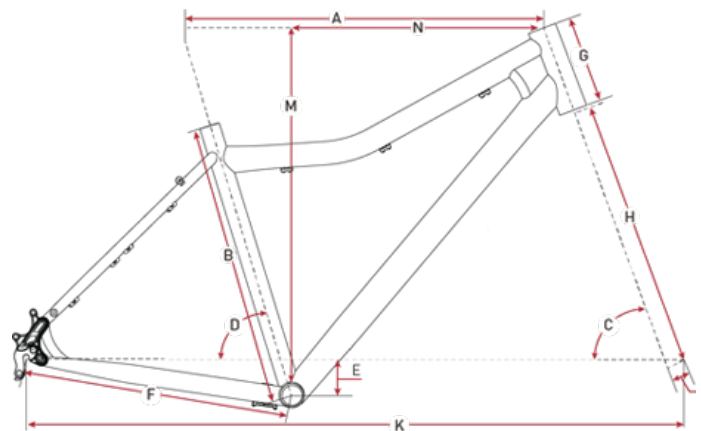
## SPECIFICATIONS: SRAM CB4 REALTREE XTRA<sup>®</sup>, MAX4, AP BLAZE, FOREST GREEN, KUIU VERDE

Front and Rear Shifters	Sram X5 trigger 2x10 Speed
Front Derailleur	Sram X5 HDM Dual Pull 2 x 10 Speed
Rear Derailleur	Sram X7 10 Speed
Crankset and Bottom Bracket	SRAM X5 GXP100, 175mm crank with sealed bearings, 22/36t gearing
Chain	KMC 10-speed
Derailleur Cable and Housing	Jagwire stainless shift cables and full length housing
Cassette	Sram 1020 – 10-speed, 11/36t gearing Black
Wheels	Salsa sealed-bearing hubs front and rear, Surly 82mm-wide Holy Rolling Darryl rims, DT Swiss stainless steel spokes, Built and finished by hand in the USA
Tires and Tubes	Surly Nate 26x3.8" tires, Surly Light Fat inner tubes
Front and Rear Brakeset	Shimano M355 Hydraulic Disc brakes
Handlebar	750mm width, 20mm rise, 11° sweepback
Headset	Cane Creek 10
Grips	Knurled rubber, Black
Stem	Kalloy. +7° x 90 mm length, Bead-blasted finish, Black
Saddle	Velo, Foam padded with vinyl cover, Black
Seatpost	Kalloy, 31.6 diameter, 400mm length, Bead-blasted finish, Black
Seatclamp	Zoom QR, 34.9mm I.D., Bead-blasted finish
Pedals	Wellgo platform type, Black

*\*Specification subject to change without notice*

### GEOMETRY

	SMALL	LARGE
<b>Recommended Rider Height</b>	5'4" - 5'9"	5'10" - 6'4"
A. Top Tube Effective	23.2	24.4
B. Seat Tube Length	16.0	19.0
C. Head Tube Angle	69.5°	69.5°
D. Seat Tube Angle	73°	73°



E. BB Drop	2.6	2.6
F. Chainstay Length	18.1	18.1
G. Head Tube Length	5.1	5.9
H. Fork Length	18.4	18.4
I. Fork Offset	1.8	1.8
J. Wheel Base	43.9	45.2
Standover	26.696	29.158