



2012 FOUNDRY AUGER CROSS MACHINE



FOUNDRY AUGER

2012 Build Specifications



Description	Auger Disc B1	Auger Disc B2
Color	Black/Gray	Black/Gray
FRAMESET		
Frame	High-modulus Carbon Fiber, Unidirectional Finish, PF30 Bottom Bracket, 74mm Disc Post Mount	High-modulus Carbon Fiber, Unidirectional Finish, PF30 Bottom Bracket, 74mm Disc Post Mount
Fork	High-modulus Carbon Fiber, Unidirectional Finish, 28.6 40 Tapered Steerer, 74mm Post Mount	High-modulus Carbon Fiber, Unidirectional Finish, 28.6 40 Tapered Steerer, 74mm Post Mount
Sizes	50, 53, 56, 59cm	50, 53, 56, 59cm
WHEELS		
Wheels	Formula Disc Hubs, DT Swiss Spokes, Alex 32h CX26 700c Rims	Formula Disc Hubs, DT Swiss Spokes, Alex 32h CX26 700c Rims
Tires	Clement PDX 700 x 33	Clement PDX 700 x 33
DRIVETRAIN		
Shifters	SRAM Red	SRAM Rival
Front Derailleur	SRAM Force	SRAM Rival
Rear Derailleur	SRAM Red	SRAM Rival
Crank	SRAM S900 38/46	Truvativ Elita 38/46
Cassette	SRAM 1050 12-27	SRAM 1050 12-27
Pedals	N/A	N/A
COMPONENTS		
Saddle	Velo	Velo
Seatpost	FSA SL-280	FSA SL-280
Handlebar	FSA Omega Compact	FSA Omega Compact
Stem	FSA OS-150	FSA OS-190
Headset	FSA IS42 IS52	FSA IS42 IS52
Brakeset	SRAM BB7 Road	SRAM BB7 Road
ACCESSORIES		
Tape	Velo	Velo
Extras	N/A	N/A
MSRP	\$3,399.00	\$2,999.00

FRAME ONLY

MSRP: \$1,899.00

FOUNDRY AUGER

2012 Build Specifications



The Auger is a precision-crafted tool—engineered to maximize a rider's cross experience. Rocks, roots, singletrack, dirt roads, wet grass, muddy hills and tight corners—throw anything at it, the Auger is up to the challenge and always comes back for more. Rigorously tested to ensure durability, the Auger is purpose-built: made to be ridden hard—every day. Intentionally understated devoid of splashy logos and loud colors, the Auger lets the rider do the talking.

Details:

Weight: 1060g (60cm)

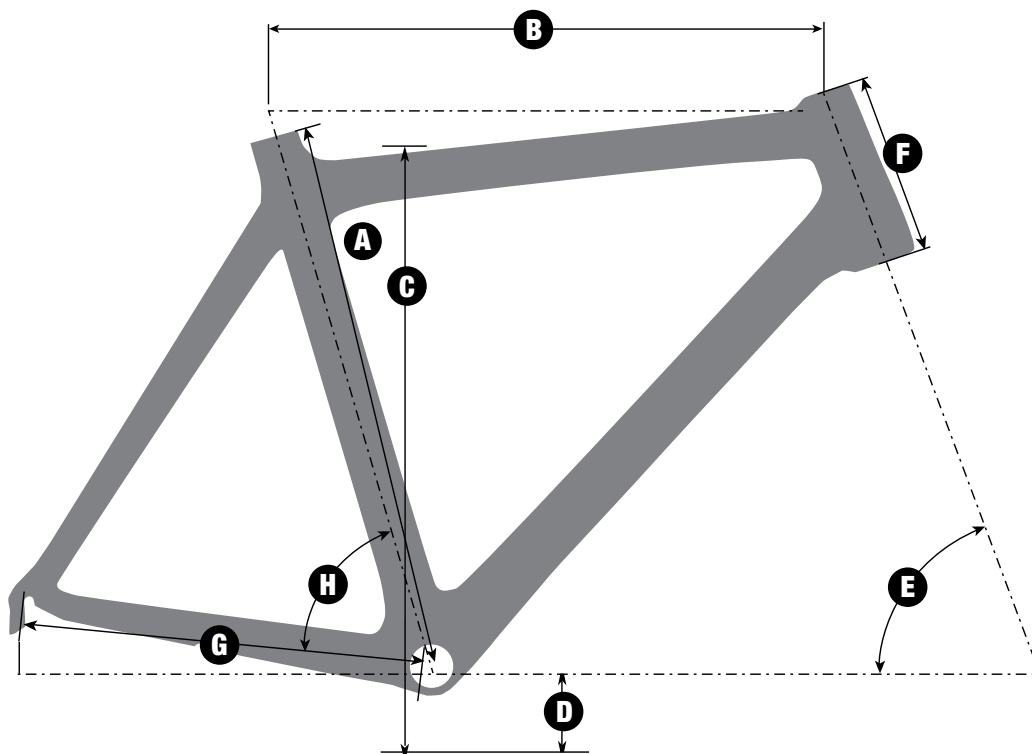
Frame: High-modulus Carbon Fiber

Warranty: 10 Years (Original Owner)

Availability: Winter 2012

GEOMETRY

Size	Seat Tube	Effective Toptube	Stand Over	BB Drop	Headtube Angle	Seat Tube Angle	Headtube	Chainstay
50cm	500mm	525mm	29.8"	65mm	71°	75°	100mm	425mm
53	530	540	30.7	65	72	74	120	425
56	560	560	32	65	72.5	73	155	425
59	590	580	33	65	73	73	180	425



- A = Seat Tube
- B = Effective Toptube
- C = Stand Over Height
- D = BB Drop
- E = Headtube Angle
- F = Headtube Length
- G = Chainstay
- H = Seat Tube Angle