

SPINDLE REBUILD KIT INSTRUCTIONS

THANK YOU FOR PURCHASING AN ISSI SPINDLE REBUILD KIT!

At iSSI™, we know the best way to improve a bike is to make it truly your own. That's why we fashion equipment to personalize the connection between you and your bike. iSSI: it's your bike; make it yours.

⚠ WARNING: CYCLING CAN BE DANGEROUS. BICYCLE PRODUCTS SHOULD BE INSTALLED AND SERVICED BY A PROFESSIONAL MECHANIC. NEVER MODIFY YOUR BICYCLE OR ACCESSORIES. READ AND FOLLOW ALL PRODUCT INSTRUCTIONS AND WARNINGS INCLUDING INFORMATION ON THE MANUFACTURER'S WEBSITE. INSPECT YOUR BICYCLE BEFORE EVERY RIDE. ALWAYS WEAR A HELMET.

⚠ WARNING: A loose, cracked, worn out, or crashed pedal can come off of your bicycle crank leading to a loss of control that could cause serious injury. Pedals that are damaged or worn out should not be used. Remove immediately and inspect for damage. If you are unsure if your pedal is safe to ride, consult your local bicycle dealer.

⚠ WARNING: Never ride in open-toed or open-heeled shoes as they don't fully support and secure your foot. Doing so could lead to a loss of control and serious injury and/or death.

For additional product and safety information go to: www.rideissi.com/safety.

COMPATIBILITY AND INTENDED USE

iSSI cleats and pedal parts are only designed as replacement parts for iSSI pedals. iSSI cleats are compatible with all standard 2-bolt SPD shoe drillings. The parts kits and cleats are NOT INTENDED for anything other than direct replacement of parts.

⚠ WARNING: Do not attempt to modify or alter your iSSI pedals or cleats

TOOLS AND SUPPLIES

6 and 8mm Allen wrenches

9mm socket

Small blade screwdriver

Grease

NOTE: Never use a cone wrench to remove or install a pedal.

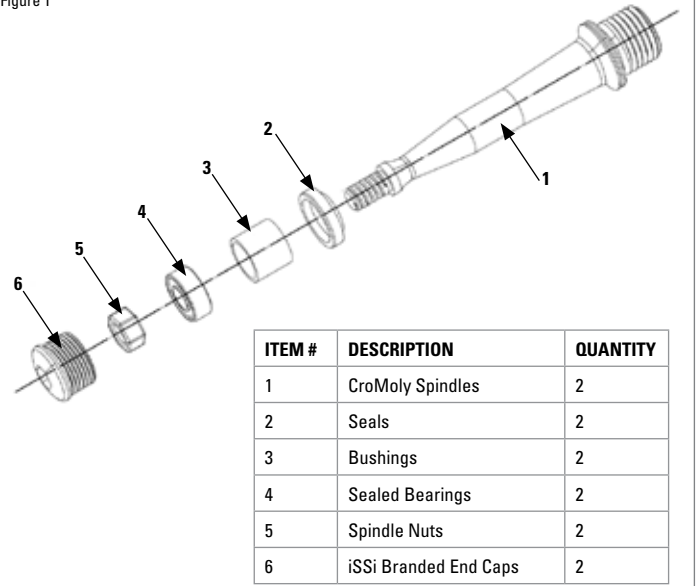
NOTE: Pedal threads are different from left side and right side. The right-side pedal has a right-hand thread (removes counterclockwise, installs clockwise). The left-side pedal has a left-hand thread (removes clockwise, installs counterclockwise). Additionally, the thread will appear to slope up toward its tightening direction. Left-hand threads slope up to the left, while right-hand threads slope up to the right.

FOR REPLACEMENT OF THE BEARINGS, BUSHING & SPINDLES

Removal

1. Remove the pedal from the crank with a 6mm Allen wrench from the back of the crank arm.
2. Use a 6mm Allen key to remove the iSSI branded end caps (item #6) at the end of the pedal body.
3. With a 6mm Allen key at the end of the spindle (item #1) place the 9mm socket over the spindle nut (item #5) on the end of the spindle and remove it.
4. Place an 8mm Allen wrench through the side of the pedal with the nylon bushing (item #3) and push the sealed bearing (item #4) out of the pedal body.
5. Using the long flat edge of the screwdriver, gently pry out the black rubber seal (item #2) on the side of the pedal opposite of where the sealed cartridge bearing was.
6. Using the long flat edge of the screwdriver, from the inside of the pedal, alternately tap around the inside edge of the bushing (item #3) to remove it.

Figure 1



Installation

1. Wipe off all of the old grease from the spindle and pedal body.
2. Slide the rubber seal (item #2) onto the pedal spindle so that the thin inner lip of the seal is pointed toward the small end of the spindle. Insert the spindle. You may have to finish pushing the seal into the pedal body by hand to seat it in place.
3. Apply a thin layer of grease to the spindle, and reinsert the bushing (item #3) on the smaller diameter threaded side with **ROUNDED EDGE OF THE BUSHING FACING TOWARDS THE BEARING**.
4. Apply a thin layer of grease to the inside of the pedal body and on the threads at each end of the spindle.
5. Slide the sealed bearing (item #4) onto the end of the pedal spindle and push it into the pedal body evenly until there are enough threads at the end of the pedal spindle to thread on the spindle nut. Place a 6mm wrench at the crank end of the spindle to keep the spindle from spinning and tighten the nut to 4Nm.
6. Apply a thin layer of grease to the iSSI branded end caps (item #6) and tighten them fully. They will finish seating the bearing and draw the pedal assembly together.

ONGOING MAINTENANCE

To function properly, pedals and cleats must be kept clean. Occasional lubrication of cleat bolts will help prevent rust and seizure. Pedals should be serviced if: rotating pedal emits noise, rotation by hand feels rough, and/or there is play in the bearings.

SPINDLE REBUILD KIT INSTRUCTIONS

LIMITED WARRANTY

This iSSi product is warranted against defects in materials and workmanship for three years from the date of retail purchase of the product, subject to the limitations detailed below. Save your dated receipt for proof of purchase.

This warranty does NOT cover the following:

- Damage due to improper assembly or follow-up maintenance or lack of skill, competence or experience of the user or assembler
- Products that have been modified, neglected, used in competition or for commercial purposes, misused or abused, involved in accidents or anything other than normal use
- Damage or deterioration to the paint, surface finish, aesthetics or appearance of the product
- Normal wear and tear
- Labor required to remove and/or refit and re-adjust the product within the bicycle assembly
- Installation of components, parts, or accessories not originally intended use with or compatible with iSSi products

This limited warranty is expressly limited to the repair or replacement of a defective product, at the option of iSSi, and is the sole remedy of the warranty. This limited warranty applies only to the original purchaser of the iSSi product and is not transferable. This warranty applies only to products purchased through an authorized dealer or distributor. In no event shall iSSi be liable for any loss, inconvenience or damage, whether direct, incidental, consequential, or otherwise resulting from breach of any express or implied warranty or condition, of merchantability, fitness for a particular purpose, or otherwise with respect to our products except as set forth herein. This limited warranty gives the consumer specific legal rights, and those rights and other rights may vary from place to place. This limited warranty does not affect your statutory rights.

TO THE EXTENT NOT PROHIBITED BY LAW, THESE WARRANTIES ARE EXCLUSIVE AND THERE ARE NO OTHER EXPRESS OR IMPLIED WARRANTIES OR CONDITIONS INCLUDING WARRANTIES OR CONDITIONS OF MERCHANTABILITY AND FITNESS FOR A PARTICULAR PURPOSE.

WARRANTY PROCESS

We will happily back up our products if there is a problem that is our fault. If you and your shop think your iSSi product is worthy of a warranty inspection, please return the product to the original place of purchase, accompanied by a sales receipt.