

PEDAL ISSi RETENTION CLAW AND CLEAT COMPATIBILITY IDENTIFICATION GUIDE

In February of 2015 iSSi released pedals utilizing an improved retention claw interface. The new interface features significantly higher performance engagement and release in addition to full testing for Shimano® SPD® cleat compatibility. To help identify which retention claws are present on a pair of pedals in the field please reference the images below.

IDENTIFYING iSSi PEDALS

New 2015 Design

IDENTIFIED BY:

Spring tension indicator features bars and +/- indicators (1)

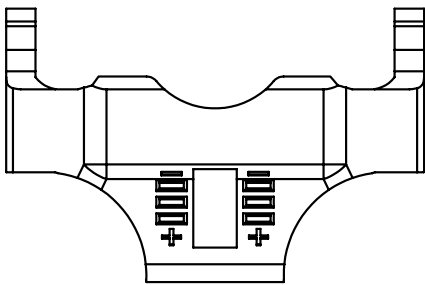
FEATURES

- Compatible with iSSi, Shimano SPD and Wellgo 98A cleats
- Higher-performance interface: 14° release angle and improved spring tension

SPRING TENSION INDICATOR



RETENTION CLAW DETAIL



Pre-2015 Design

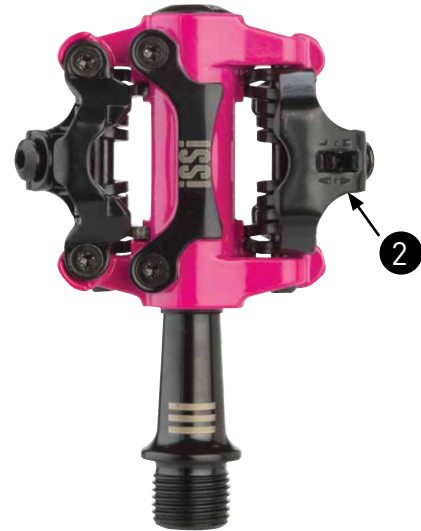
IDENTIFIED BY:

Spring tension indicator features arrows and H/L indicators (2)

FEATURES:

- Compatible with iSSi and Wellgo 98A cleats only
- Not tested to be Shimano SPD compatible
- Original interface: 19° release angle and original spring tension

SPRING TENSION INDICATOR



RETENTION CLAW DETAIL

